



SaniSure® Cap2v8®

Bottle Assemblies & GL45 Caps

Engineered Single Use Solutions...Reducing Operational Cost, Improving Production Efficiency



Unique integrated cap & tube system providing for aseptic transfer



Features & Benefits

- Meets USP Class VI
- One - Piece Molded Cap Design
- Fast Turnaround on Small & Large Lot Quantities
- Polypropylene Cap & C-Flex® Tubing
- Autoclavable and Gamma Irradiation Stable
- Single Use: Reduce Assembly & Installation Time
- Smooth Contour Allows for Easier Cleaning of the Exterior of the Bottle
- Other Custom Design Capabilities Available



SaniSure®
Be sure.

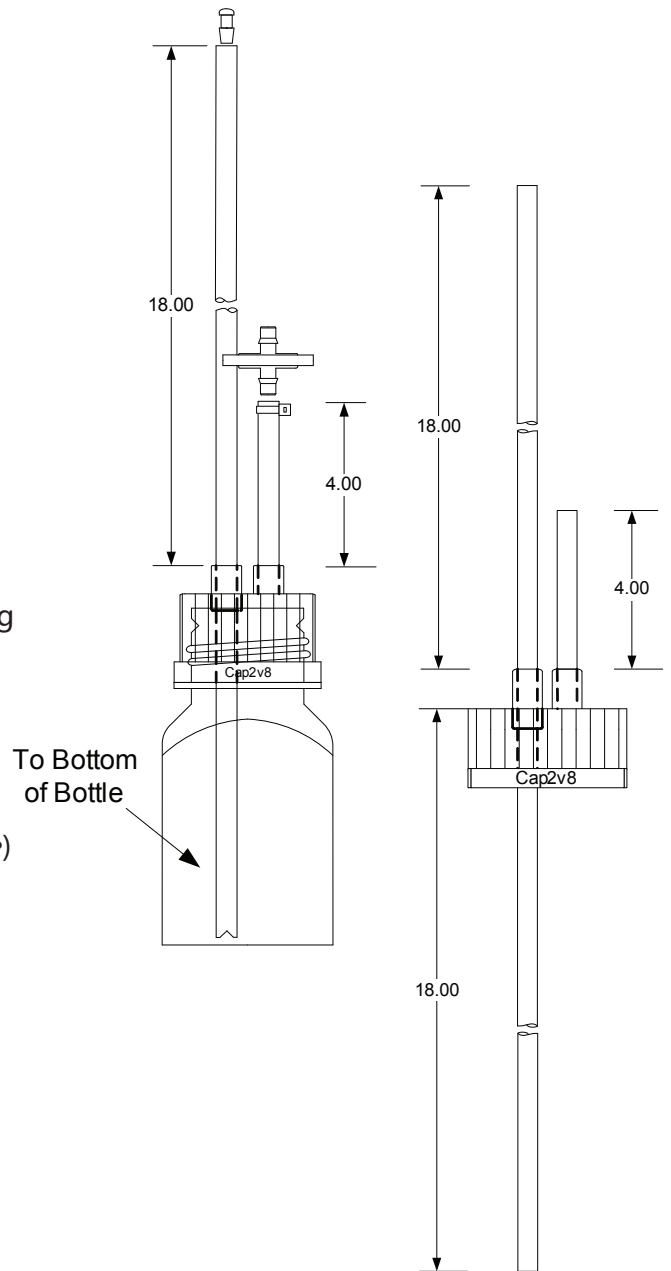
Engineered Single Use Solutions...Reducing Operational Cost, Improving Production Efficiency

Cap2v8 Bottle Assemblies

- Cap2v8-125PETG-X-2
 - Cap2v8-250PETG-X-2
 - Cap2v8-500PETG-X-2
 - Cap2v8-1000PETG-X-2
 - Cap2v8-2000PC-X-2
 - Round Bottle
- **Assembly Includes**
- 1 - PETG Bottle (2L is Polycarbonate)
 - 1 - 2 Port 38mm Cap2v8 Cap w/ 1/8" ID x 1/4" OD C-flex Tubing
 - Vent Line - 4.0" OAL
 - Transfer Line
 - Cap Side - 18.0" OAL
 - Bottle Side - Bottom of Bottle (Notched End)
 - 1 - 25mm 0.2µm Hydrophobic Filter
- Individually Double Bagged & Gamma Irradiated (Certified Sterile)*

Cap2v8 GL45 Cap

- Cap2v8-45-X-2
- 1 - 2 Port Cap2v8 Cap w/ 1/8" ID x 1/4" OD C-flex Tubing
 - Vent Line - 4.0" OAL
 - Transfer Line
 - Cap Side - 18.0" OAL
 - Bottle Side - 18.0" OAL
- Double Bagged 5 Each (Non Gamma)*



SaniSure Inc.
P.O. Box 2360
Moorpark, CA 93021
Toll Free (877) 777-3005



SaniSure®
Be sure.
www.SaniSure.com

SaniSure is a registered
trademark of SaniSure, Inc.

IMPORTANT: It is the user's responsibility to ensure the suitability and safety of SaniSure, Inc. products for all intended uses.

For a period of 90 days from the date of first sale, SaniSure, Inc. warrants this product to be free from defects in materials and workmanship. Our only obligation will be to replace any portion proving defective, or at our option, to refund the purchase price thereof. User assumes all other risk, if any, including the risk of injury, loss or damage, direct or consequential, arising out of the use, misuse, or inability to use, this product. THIS WARRANTY IS IN LIEU OF THE WARRANTIES OF MERCHANTABILITY, FITNESS FOR PARTICULAR PURPOSE, AND ALL OTHER WARRANTIES, EXPRESSED OR IMPLIED. No deviation is authorized.

SaniSure, Inc. assumes no obligations or liability for any advice furnished by it or for results obtained with respect to those products. All such advice is given and accepted at the buyer's risk. SaniSure™ is a trademark of SaniSure, Inc. ©2010 All rights reserved